

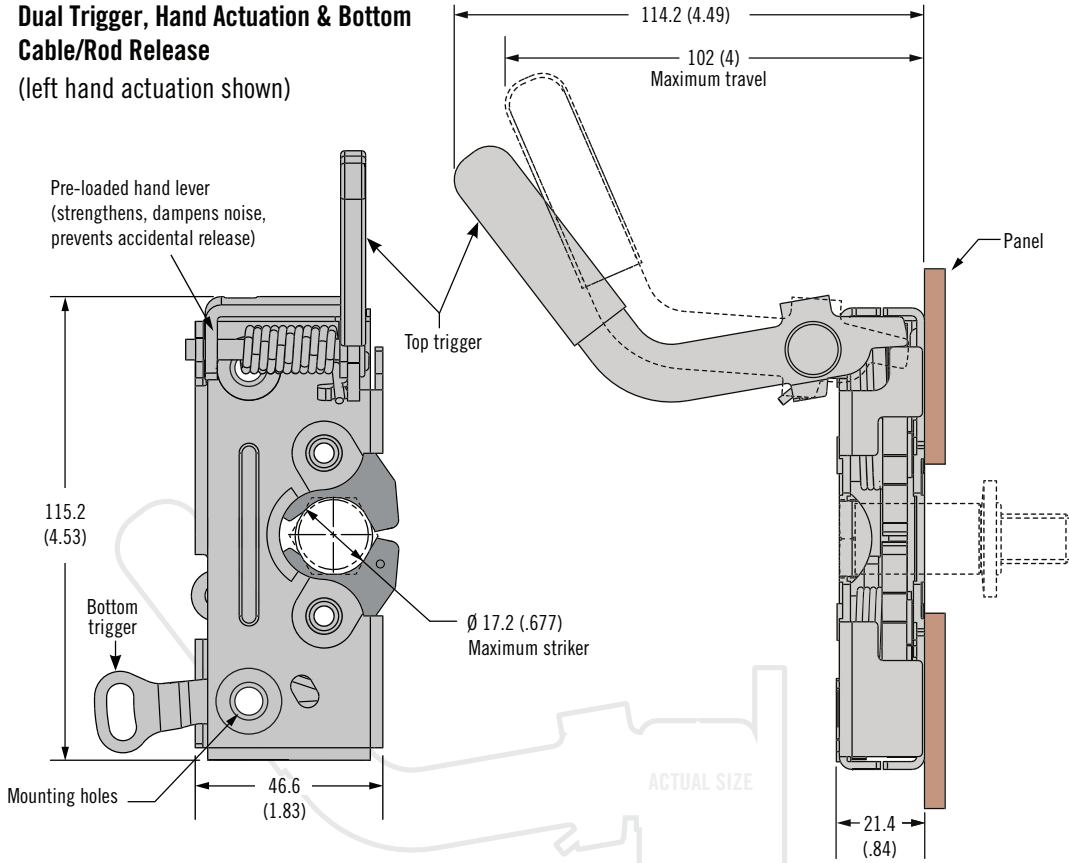


R4 Rotary Latch

Heavy-duty · Two stage · Dual trigger

Dual Trigger, Hand Actuation & Bottom Cable/Rod Release

(left hand actuation shown)



- Independent interior and exterior actuation
- Compatible with a wide array of actuators
- FMVSS 206 capable
- EN 45545-3 E60 compliant

Material and Finish

Steel, zinc plated

Accessories

Cables and retainer clips
see pages 322-323

For panel preparation visit
www.southco.com/R4

Striker Bolt Assembly
(sold separately): R4-90-441-10

Additional top triggers available
see page 305C

Part Number Selection

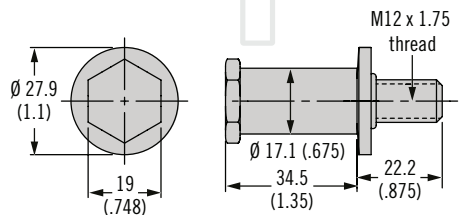
- S** Stage & Actuation
- 3 Two stage, right hand
 - 4 Two stage, left hand

- I** Mounting Style
- 0 Ø7.2 (.283) thru
 - 1 1/4-20 thread
 - 2 M6 x 1 thread

R4 - 50 - S I - L 5 1 - 10

- L** Hand Lever
- 4A Straight lever
 - 4B Bent lever

Striker Bolt Assembly (sold separately)	
Part Number	Material
R4-90-441-10	Steel, Zinc Plated





R4 Rotary Latch

Heavy-duty · Two stage · Dual trigger

- Independent interior and exterior actuation
- Compatible with a wide array of actuators
- FMVSS 206 capable
- EN 45545-3 E60 compliant

Material and Finish

Steel, zinc plated

Accessories

Cables and retainer clips see pages 322-323

For panel preparation visit www.southco.com/R4

Striker Bolt Assembly (sold separately): R4-90-441-10

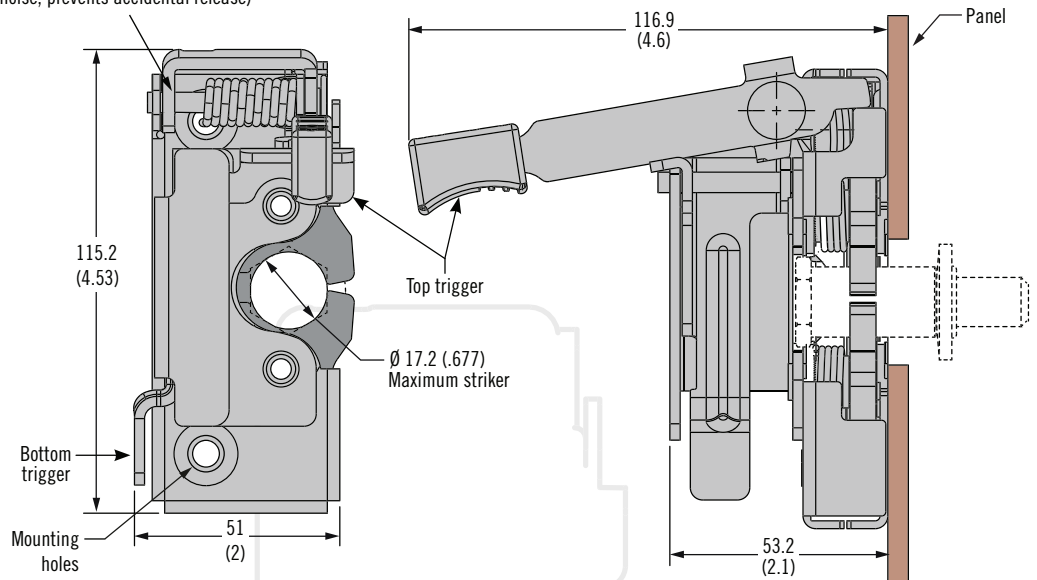
Additional top triggers available see page 305C

Part Number Selection

Dual Trigger, Hand Actuation & Bottom Push Release

(left hand actuation shown)

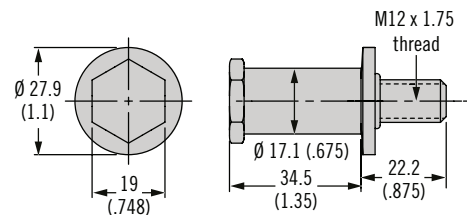
Pre-loaded hand lever (strengthens, dampens noise, prevents accidental release)



ACTUAL SIZE

<p>S Stage & Actuation</p> <p>3 Two stage, right hand</p> <p>4 Two stage, left hand</p>	<p>L Hand Lever</p> <p>4A Straight lever</p> <p>4B Bent lever</p>	R4 - 50 - S I - L 8 1 - 10	<p>I Mounting Style</p> <p>0 Ø7.2 (.283) thru</p> <p>1 1/4-20 thread</p> <p>2 M6 x 1 thread</p>
--	--	-----------------------------------	--

Striker Bolt Assembly (sold separately)	
Part Number	Material
R4-90-441-10	Steel, Zinc Plated



Dimensions in millimeters (inch) unless otherwise stated

R4 Rotary Latch

Top Trigger Options

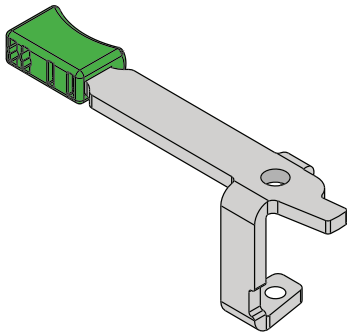


305D

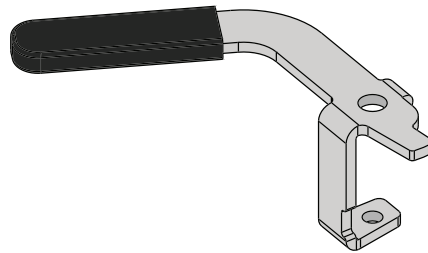
Top levers for hand-actuated R4-50 dual trigger latches

Hand Lever

Straight Lever (4A)



Bent Lever (4B)



Notes

For use with R4-50 Heavy Duty Two Stage Dual Trigger Latches only

